



# 60-6008 - (9044)

BSPP Swivel Female x BSPP Swivel Female 60 Deg Cone



## **BRENNAN INDUSTRIES, EXTRAORDINARY FITTINGS**

In business for over 60 years, Brennan supplies more than 50,000 types of hydraulic fittings and adaptors in sizes ranging from 1/16 to 3 inches.

### **Learn More at Brennan University:**

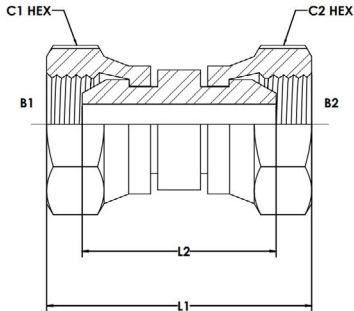
[Fittings 101](#)

[Tube Fittings Resources](#)

[Literature and Certifications](#)

**Tech Data Sheet: 71487**

# 60-6008 - (9044)



**DESCRIPTION:**

BSPP Swivel Female x BSPP Swivel Female 60 Deg Cone

**UK SERIES:**

60-6008

**US SERIES:**

9044

**THREAD TYPE B1:**

FEMALE BSPP SWIVEL

**THREAD SPECIFICATION B1:**

ISO 1179

**THREAD TYPE PT2:**

FEMALE BSPP SWIVEL

**THREAD SPECIFICATION PT2:**

ISO 1179

**BODY MATERIAL:**

STEEL

Item	THREAD SIZE B1	THREAD DRILL B1 (MM)	THREAD SIZE PT2	THREAD DRILL PT2 (MM)	THREAD SPECIFICATION PT2
60-6008-02-02	1/8-28	3.8	1/8-28	3.8	BS 5200
60-6008-04-02	1/4-19	4.4	1/8-28	3.5	BS 5200
60-6008-04-04	1/4-19	4.4	1/4-19	4.4	BS 5200
60-6008-06-02	3/8-19		1/8-28		BS 5200
60-6008-06-04	3/8-19	7.0	1/4-19	4.4	BS 5200
60-6008-06-06	3/8-19	7.0	3/8-19	7.0	BS 5200
60-6008-08-04	1/2-14	9.5	1/4-19	4.4	BS 5200
60-6008-08-06	1/2-14	9.5	3/8-19	7.0	BS 5200
60-6008-08-08	1/2-14	9.5	1/2-14	9.5	BS 5200
60-6008-10-06	5/8-14	11.8	3/8-19	7.0	BS 5200
60-6008-10-08	5/8-14	11.8	1/2-14	9.5	BS 5200
60-6008-10-10	5/8-14	11.8	5/8-14	11.8	BS 5200
60-6008-12-04	3/4-14	15.3	1/4-19	4.4	BS 5200
60-6008-12-06	3/4-14	15.3	3/8-19	7.0	BS 5200
60-6008-12-08	3/4-14	15.3	1/2-14	9.5	BS 5200
60-6008-12-10	3/4-14	15.3	5/8-14	11.8	BS 5200
60-6008-12-12	3/4-14	15.3	3/4-14	15.3	BS 5200
60-6008-16-04	1-11		1/4-19		BS 5200
60-6008-16-06	1-11		3/8-19		BS 5200
60-6008-16-08	1-11	20.2	1/2-14	9.5	BS 5200
60-6008-16-10	1-11	20.2	5/8-14	11.8	BS 5200
60-6008-16-12	1-11	20.2	3/4-14	15.3	BS 5200
60-6008-16-16	1-11	20.2	1-11	20.2	BS 5200
60-6008-20-08	1-1/4-11		1/2-14		BS 5200
60-6008-20-12	1-1/4-11	25.8	3/4-14	15.3	BS 5200
60-6008-20-16	1-1/4-11	25.8	1-11	20.2	BS 5200
60-6008-20-20	1-1/4-11	25.8	1-1/4-11	25.8	BS 5200
60-6008-24-08	1-1/2-11		1/2-14		BS 5200
60-6008-24-12	1-1/2-11		3/4-14		BS 5200
60-6008-24-16	1-1/2-11	30.5	1-11	20.2	BS 5200
60-6008-24-20	1-1/2-11	30.5	1-1/4-11	25.8	BS 5200
60-6008-24-24	1-1/2-11	30.5	1-1/2-11	30.5	BS 5200
60-6008-32-24	2-11		1-1/2-11		BS 5200
60-6008-32-32	2-11	43.2	2-11	43.2	BS 5200