



60-5000 - (9650-FG)

BSPB Male Cross 60 Deg Cone for Bonded Seal



BRENNAN INDUSTRIES, EXTRAORDINARY FITTINGS

In business for over 60 years, Brennan supplies more than 50,000 types of hydraulic fittings and adaptors in sizes ranging from 1/16 to 3 inches.

Learn More at Brennan University:

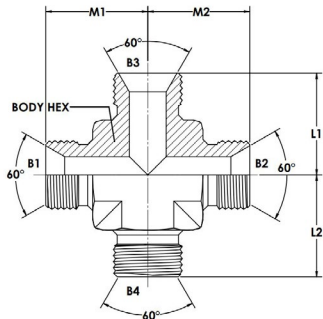
[Fittings 101](#)

[Tube Fittings Resources](#)

[Literature and Certifications](#)

Tech Data Sheet: 71561

60-5000 - (9650-FG)



DESCRIPTION:

BSPP Male Cross 60 Deg Cone for Bonded Seal

UK SERIES:

60-5000

US SERIES:

9650-FG

THREAD TYPE B1:

MALE BSPP WITH 60 DEGREE SEAT

THREAD SPECIFICATION B1:

60 DEG SEAT SWIVEL CONNECTION

THREAD TYPE B2:

MALE BSPP WITH 60 DEGREE SEAT

THREAD SPECIFICATION B2:

60 DEG SEAT SWIVEL CONNECTION

BODY MATERIAL:

STEEL

| Item | THREAD SIZE B1 | THREAD DRILL B1 (MM) | THREAD SIZE B2 | THREAD DRILL B2 (MM) | THREAD SIZE 3 | THREAD DRILL 3 (MM) | THREAD SIZE 4 | THREAD DRILL 4 (MM) |
|---------------------|----------------|----------------------|----------------|----------------------|---------------|---------------------|---------------|---------------------|
| 60-5000-02-02-02-02 | 1/8-28 | | 1/8-28 | | 1/8-28 | | 1/8-28 | |
| 60-5000-04-04-04-04 | 1/4-19 | 6.0 | 1/4-19 | 6.0 | 1/4-19 | 6.0 | 1/4-19 | 6.0 |
| 60-5000-06-06-06-06 | 3/8-19 | 8.0 | 3/8-19 | 8.0 | 3/8-19 | 8.0 | 3/8-19 | 8.0 |
| 60-5000-08-08-08-08 | 1/2-14 | 11.0 | 1/2-14 | 11.0 | 1/2-14 | 11.0 | 1/2-14 | 11.0 |
| 60-5000-10-10-10-10 | 5/8-14 | | 5/8-14 | | 5/8-14 | | 5/8-14 | |
| 60-5000-12-12-12-12 | 3/4-14 | 14.3 | 3/4-14 | 14.3 | 3/4-14 | 14.3 | 3/4-14 | 14.3 |
| 60-5000-16-16-16-16 | 1-11 | 20.0 | 1-11 | 20.0 | 1-11 | 20.0 | 1-11 | 20.0 |
| 60-5000-20-20-20-20 | 1-1/4-11 | | 1-1/4-11 | | 1-1/4-11 | | 1-1/4-11 | |
| 60-5000-24-24-24-24 | 1-1/2-11 | | 1-1/2-11 | | 1-1/2-11 | | 1-1/2-11 | |
| 60-5000-32-32-32-32 | 2-11 | | 2-11 | | 2-11 | | 2-11 | |